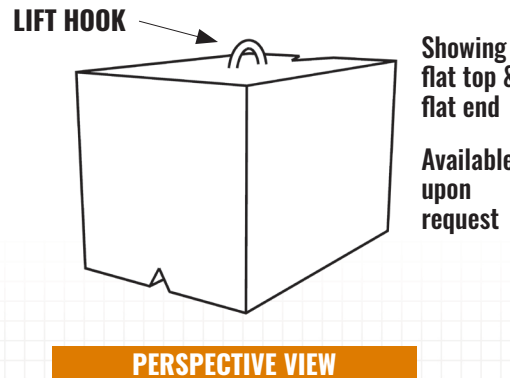
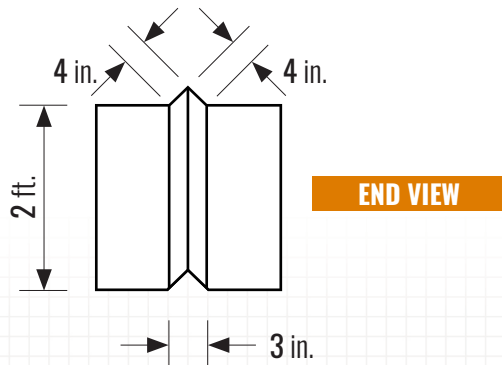
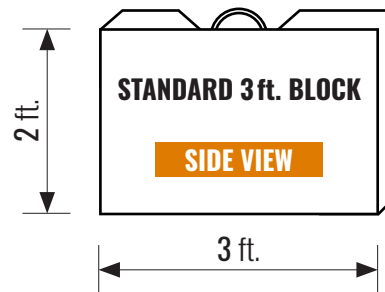
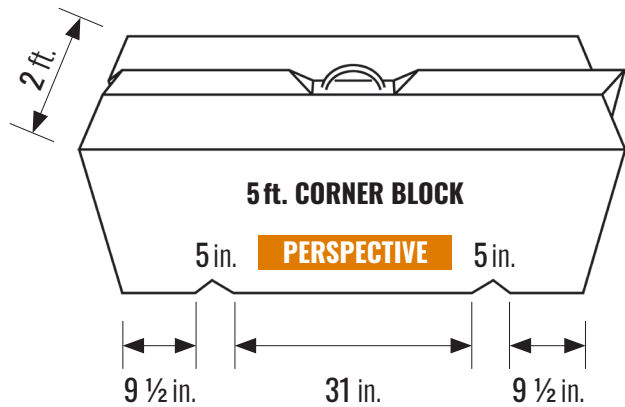
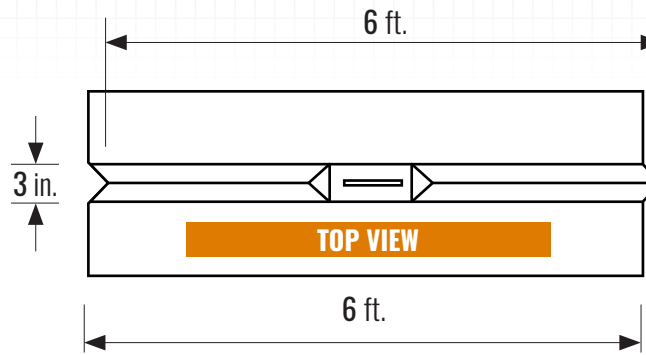
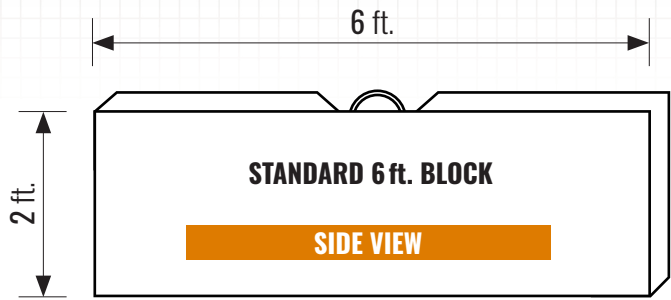
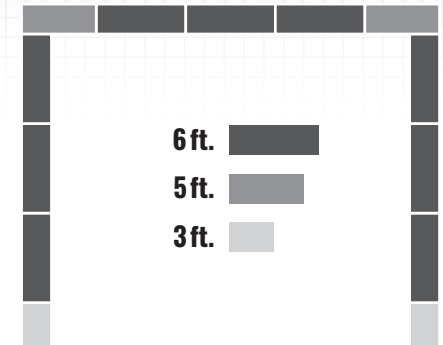




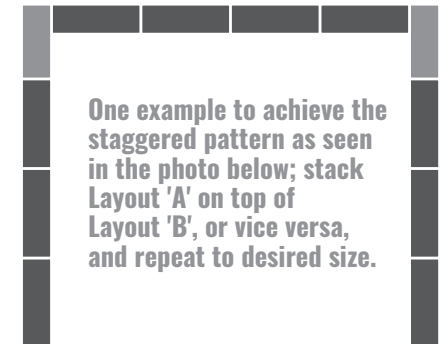
## RECLAIMED BIG BLOCK



### LAYOUT OPTION "A"



### LAYOUT OPTION "B"



#### SIZES:

2 x 2 x 6 ft. = 3500 lbs (1588 kg) +/-  
 2 x 2 x 5 ft. = 2925 lbs (1327 kg) +/-  
 2 x 2 x 4 ft. = 2350 lbs (1066 kg) +/-  
 2 x 2 x 3 ft. = 1775 lbs (805 kg) +/-  
 2 x 2 x 2 ft. = 1175 lbs (533 kg) +/-

#### AVAILABILITY:

6 ft. Standard Interlocking Block  
 5 ft. Corner Interlocking Block  
 4 ft. Standard Interlocking Block\*  
 3 ft. Standard Interlocking Block  
 2 ft. Standard Interlocking Block\*

\*limited availability

#### STYLE:

Blocks are also available in a flat top and/or flat end, upon request.

#### PHYSICAL PROPERTIES:

Made from concrete of varying strength and performance. Concrete is a natural product and therefore colour and appearance will vary.