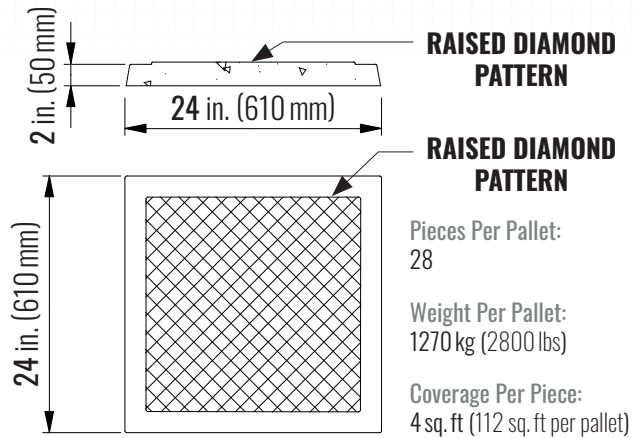
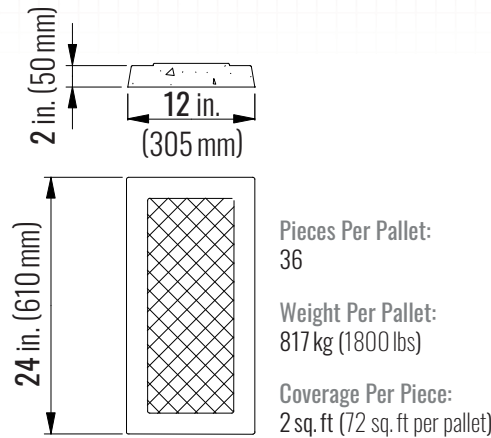




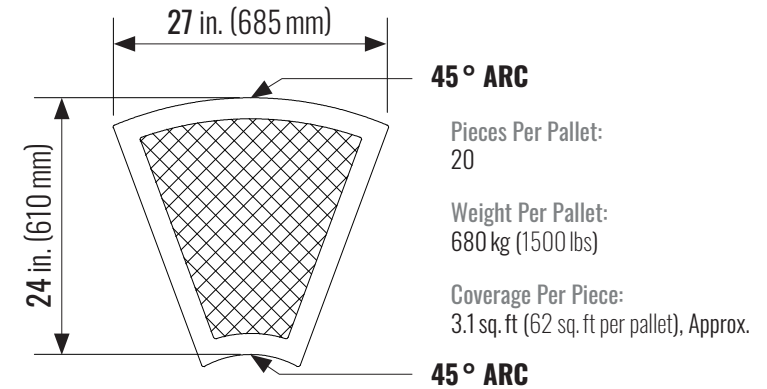
## PRECAST PATIO SLABS



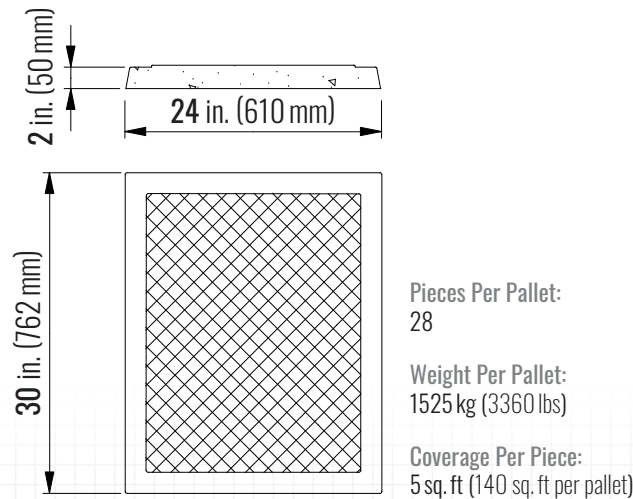
**TOP VIEW / FRONT X-SECTION**



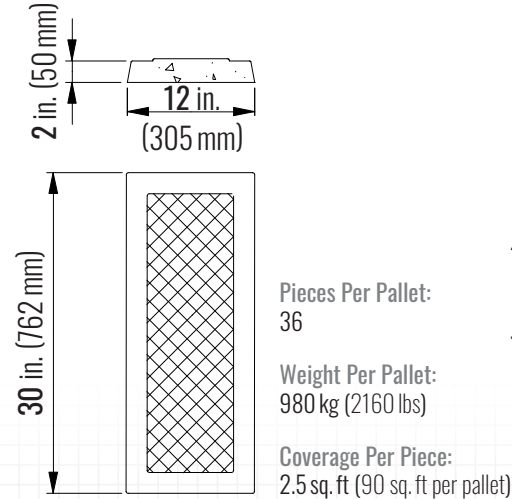
**TOP VIEW / FRONT X-SECTION**



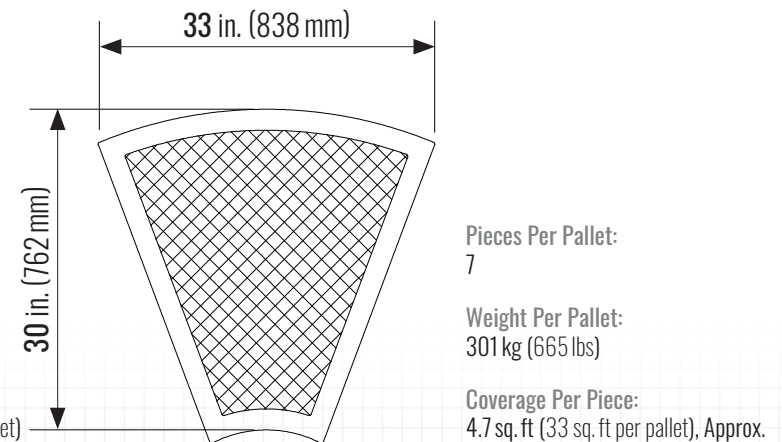
**TOP VIEW**



**TOP VIEW / FRONT X-SECTION**



**TOP VIEW / FRONT X-SECTION**



**TOP VIEW**

### 24 in. PATIO SLABS:

- 610 x 610 mm (24 x 24 in.) = 45.7 kg (100 lbs)
- 610 x 305 mm (24 x 12 in.) = 22.7 kg (50 lbs)
- 610 mm x 45° (24 in. x 45°) = 34.0 kg (75 lbs)

### 30 in. PATIO SLABS:

- 762 x 610 mm (30 x 24 in.) = 54.4 kg (120 lbs)
- 762 x 305 mm (30 x 12 in.) = 27.2 kg (60 lbs)
- 762 mm x 45° (30 in. x 45°) = 43.1 kg (95 lbs)

### PHYSICAL PROPERTIES:

- Meets the requirements of CSA A23.1 and A23.4
- Compressive Strength: Min. 35 MPa @ 28 Days
- Concrete Contains: 5.0 – 8.0% Entrained Air

