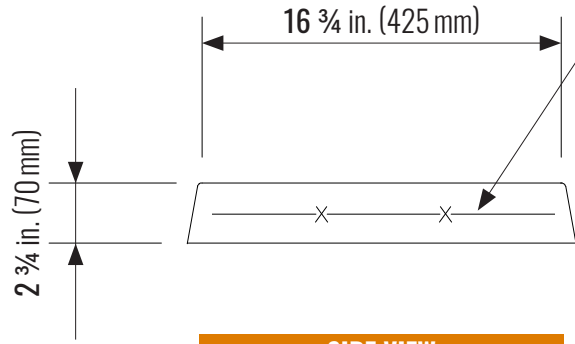
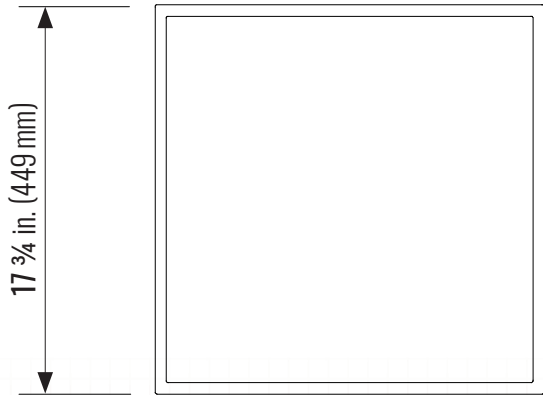




18" SQUARE

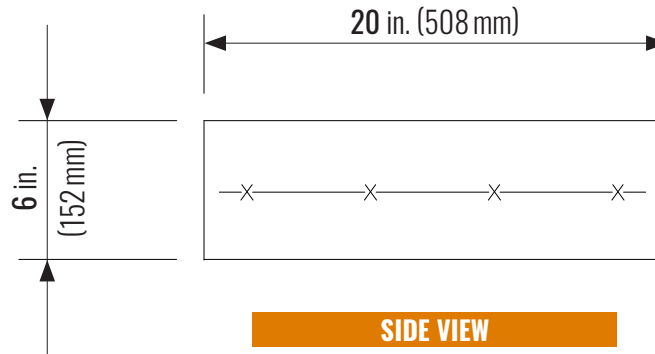


SIDE VIEW

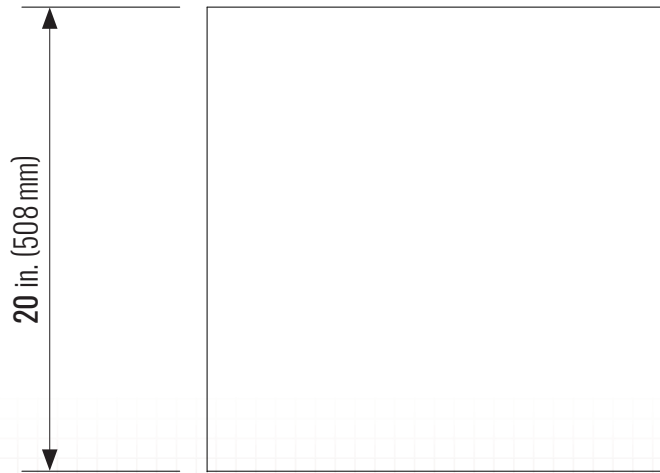


TOP VIEW

20" SQUARE

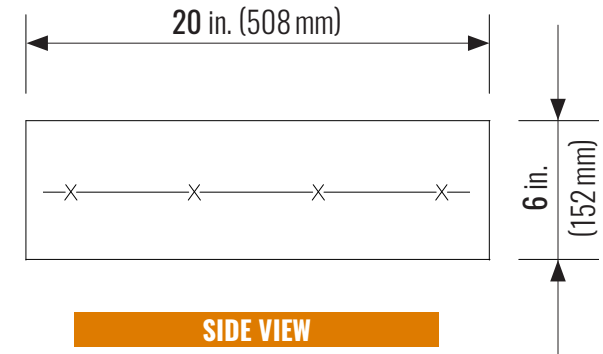


SIDE VIEW

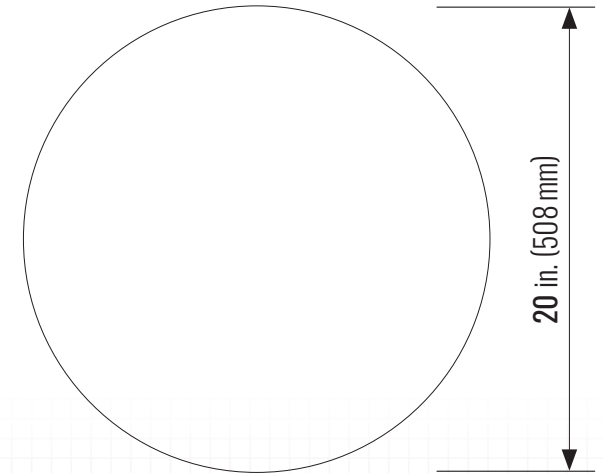


TOP VIEW

20" ROUND



SIDE VIEW



TOP VIEW

DETAILS: Square

Dimension: 457 x 457 mm (18 x 18 in.)
 Weight: 30 kg (66 lbs)
 Dimension: 508 x 508 mm (20 x 20 in.)
 Weight: 95 kg (208 lbs)

DETAILS: Round

Dimension: 508 x 508 mm (20 x 20 in.)
 Weight: 74 kg (162 lbs)

PHYSICAL PROPERTIES:

Meets the requirements of CSA A23.1 and A23.4
 Compressive Strength: Min. 35 MPa @ 28 Days
 Concrete Contains: 5.0 – 8.0 % Entrained Air

