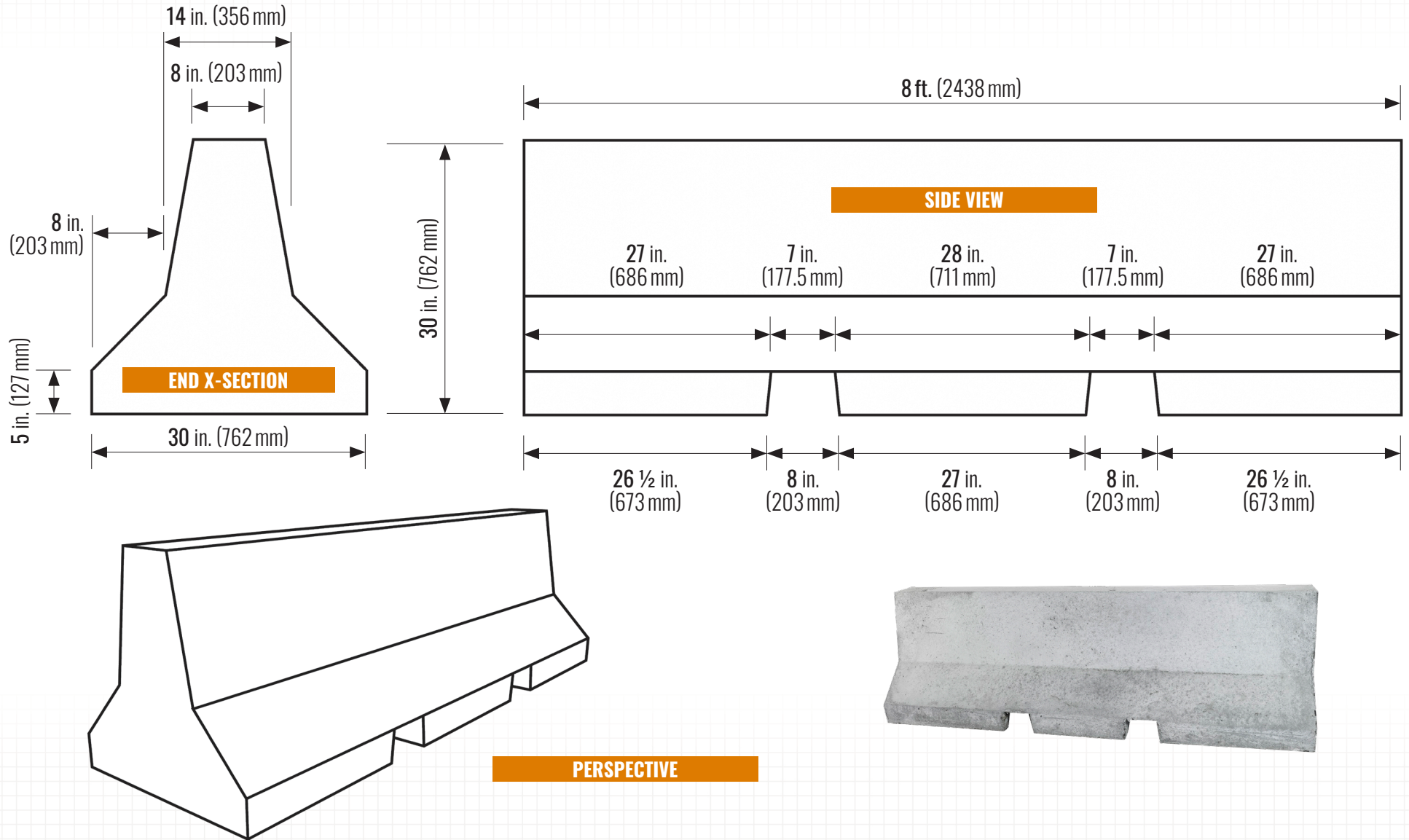




## 8 ft. PROTECTION BARRIER



### WEIGHT:

8' x 8" Top: 1651.1 kg (3640 lbs)

### PHYSICAL PROPERTIES:

Meets the requirements of CSA A23.1 and A23.4  
Compressive Strength: Min. 35 MPa @ 28 Days  
Concrete Contains: 5.0–8.0% Entrained Air