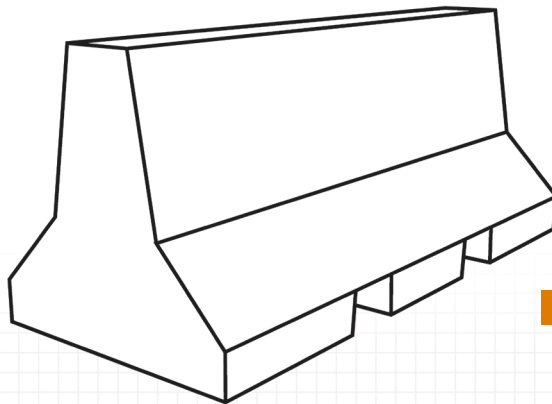
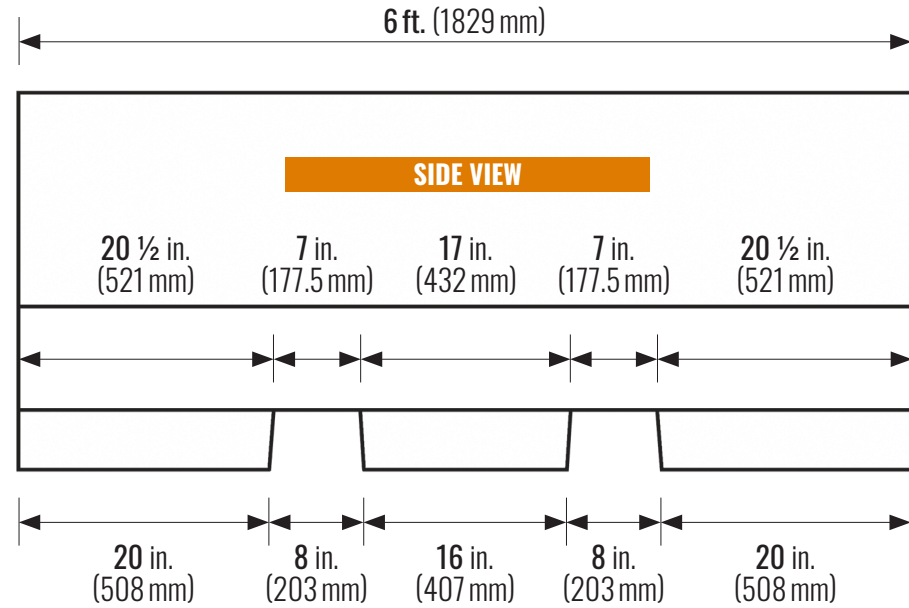
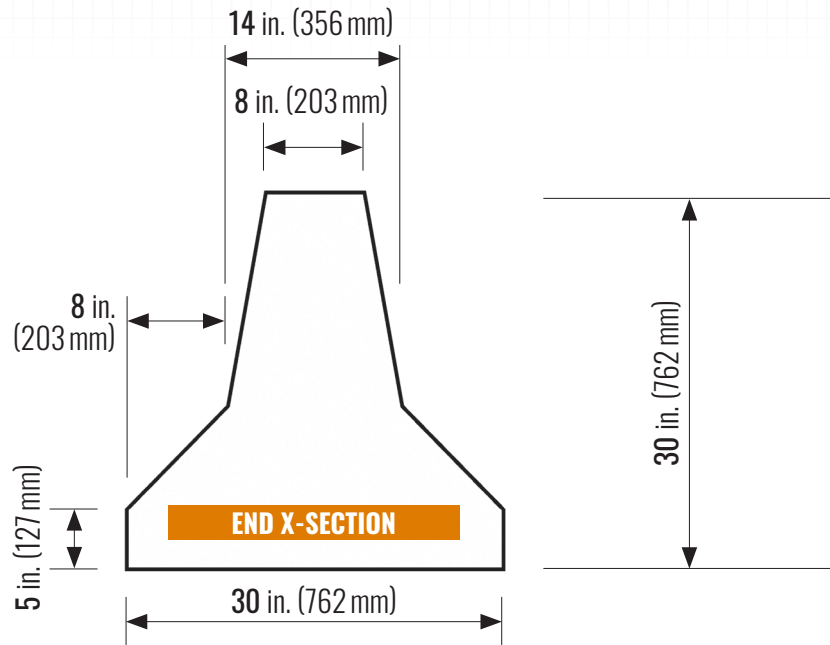




## 6 ft. PROTECTION BARRIER



**PERSPECTIVE**



### WEIGHT:

6' x 8" Top: 1238.3 kg (2730 lbs)

### PHYSICAL PROPERTIES:

Meets the requirements of CSA A23.1 and A23.4  
Compressive Strength: Min. 35 MPa @ 28 Days  
Concrete Contains: 5.0–8.0% Entrained Air