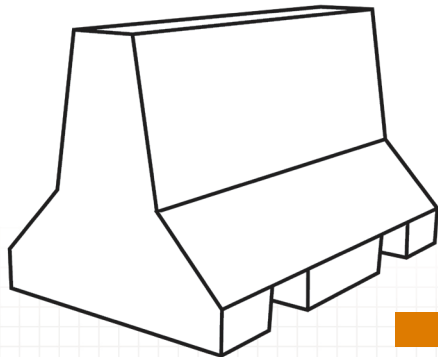
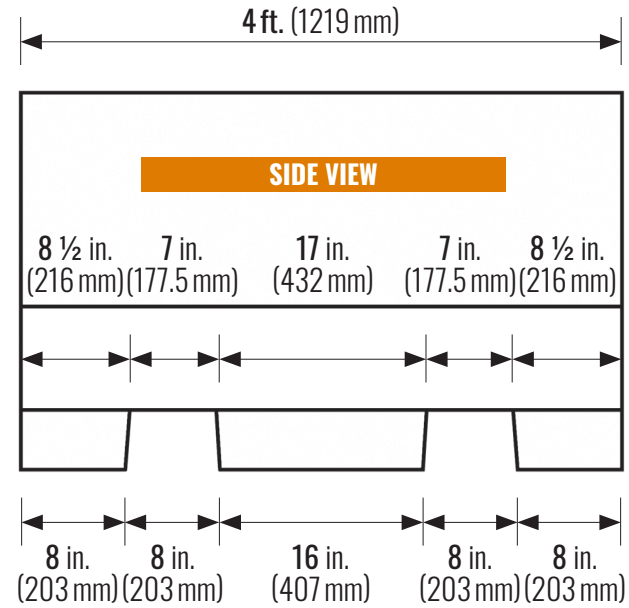
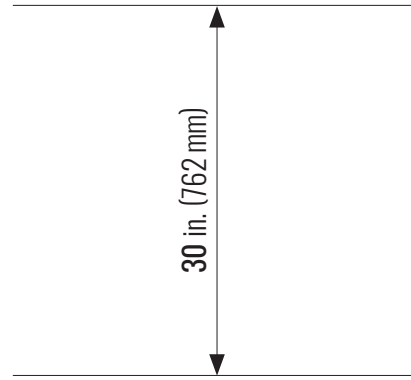
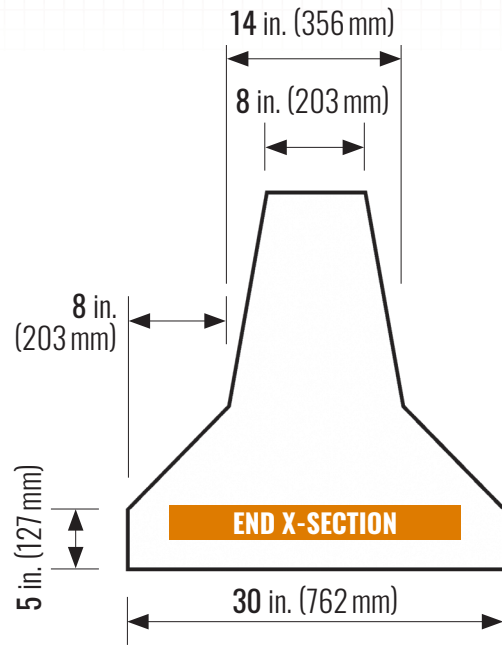




## 4 ft. PROTECTION BARRIER



**PERSPECTIVE**



**WEIGHT:**

4' x 8" Top: 825.5 kg (1820 lbs)

**PHYSICAL PROPERTIES:**

Meets the requirements of CSA A23.1 and A23.4  
Compressive Strength: Min. 35 MPa @ 28 Days  
Concrete Contains: 5.0–8.0% Entrained Air