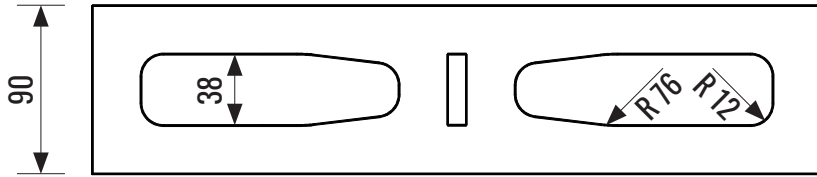
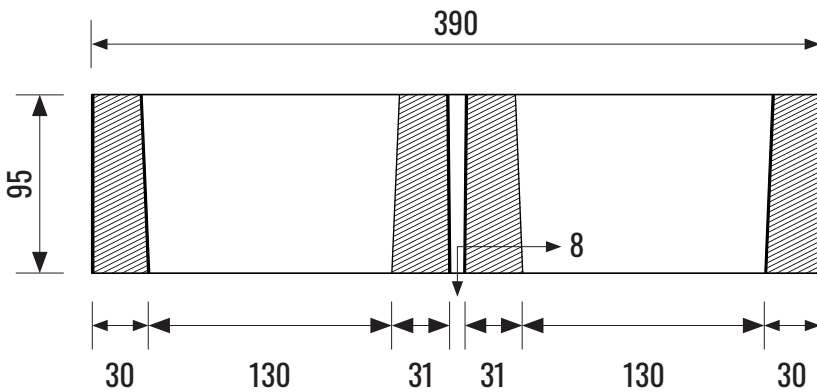




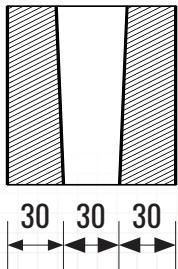
BREAKER HALF HEIGHT



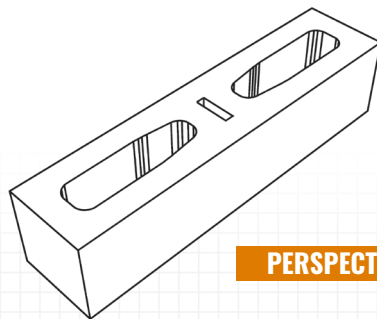
TOP VIEW



FRONT X-SECTION

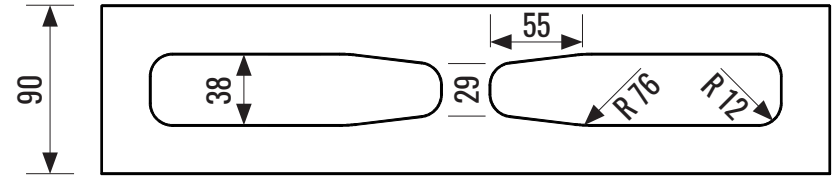


END X-SECTION

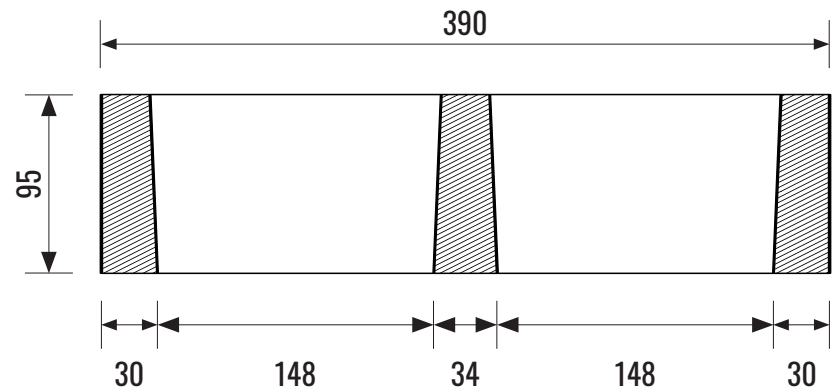


PERSPECTIVE VIEW

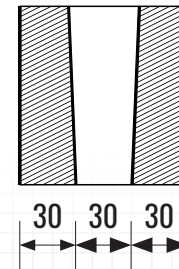
STRETCHER HALF HEIGHT



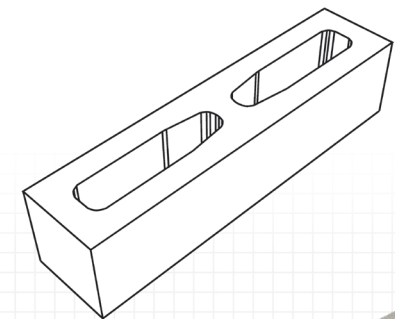
TOP VIEW



FRONT X-SECTION



END X-SECTION



PLEASE NOTE: Products are made from natural material sources and therefore color variation and efflorescence may occur.

PACKAGING:

Pieces Per Pallet: 45 Breakers + 225 Stretchers
Weight Per Piece: 5.3 kg (11.8 lbs)
Weight Per Pallet: 1440 kg (3173 lbs)
Coverage Per Piece: 0.4 sq. ft

DIMENSIONAL TOLERANCES:

Meets the requirements of CSA A165.1 Concrete Masonry
Length: -3 to +3 mm
Width: -2 to +2 mm
Height: -3 to +2 mm

PHYSICAL PROPERTIES:

Meets the requirements of CSA A165.1 Concrete Masonry
Compressive Strength: Min 15 MPa @ 28 Days
Absorption (%): 8.0 % Maximum @ 28 Days