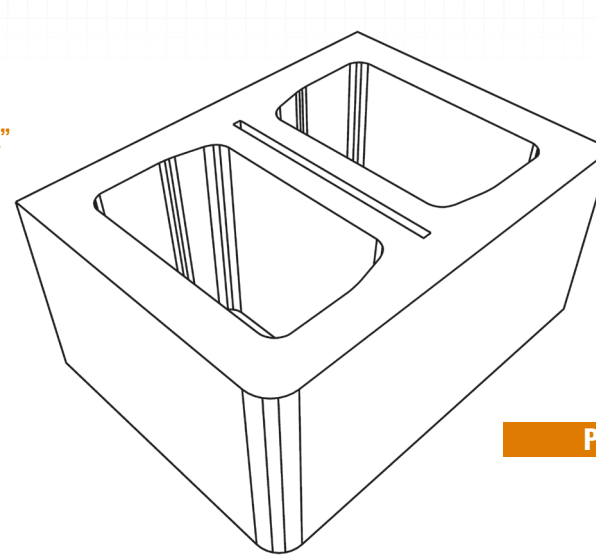
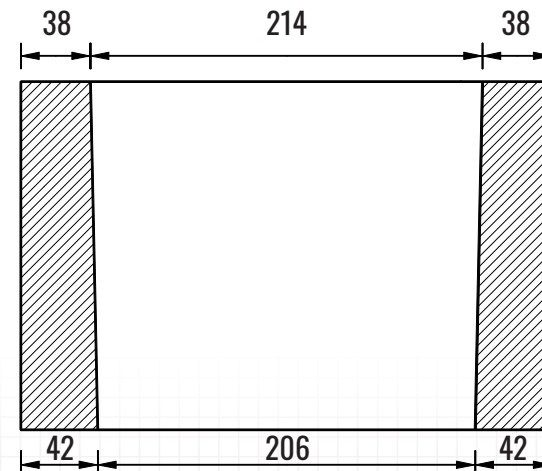
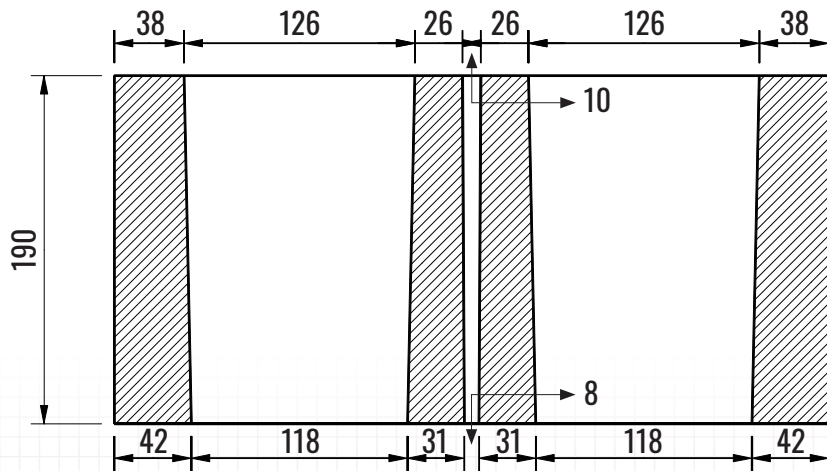
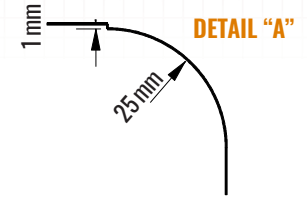


SEE DETAIL "A"



**PERSPECTIVE VIEW**



**PLEASE NOTE:** Products are made from natural material sources and therefore color variation and efflorescence may occur.

**PACKAGING:**

Pieces Per Pallet: 50  
 Weight Per Piece: 26.82 kg (59 lbs)  
 Weight Per Pallet: 1341 kg (2950 lbs)  
 Coverage Per Piece: 0.8 sq. ft

**DIMENSIONAL TOLERANCES:**

Meets the requirements of CSA A165.1 Concrete Masonry  
 Length: -3 to +3 mm  
 Width: -2 to +2 mm  
 Height: -3 to +2 mm

**PHYSICAL PROPERTIES:**

Meets the requirements of CSA A165.1 Concrete Masonry  
 Compressive Strength: Min 15 MPa @ 28 Days  
 Absorption (%): 8.0 % Maximum @ 28 Days