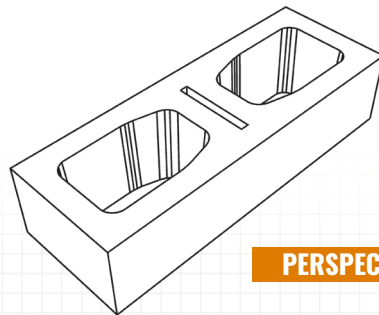
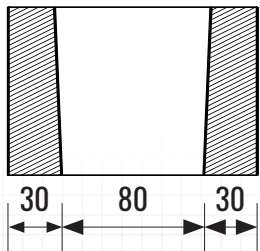
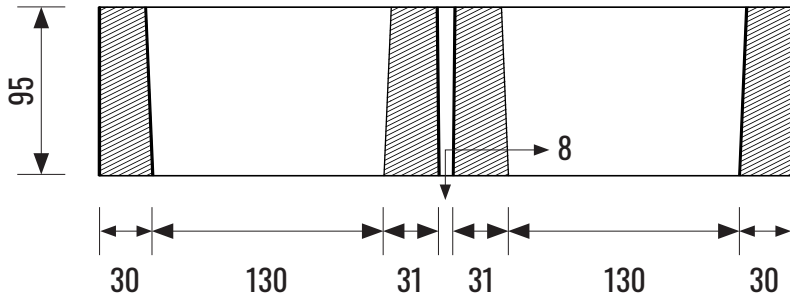
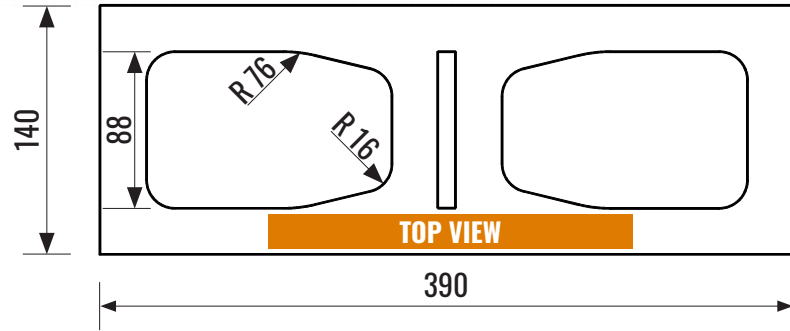


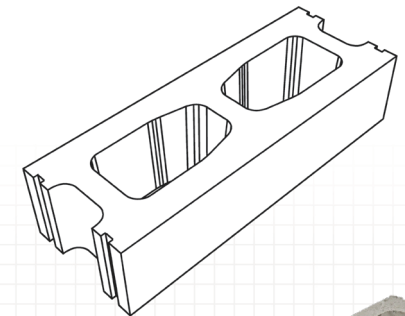
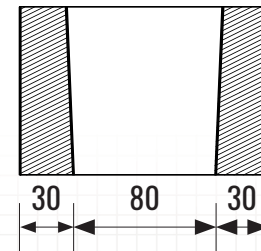
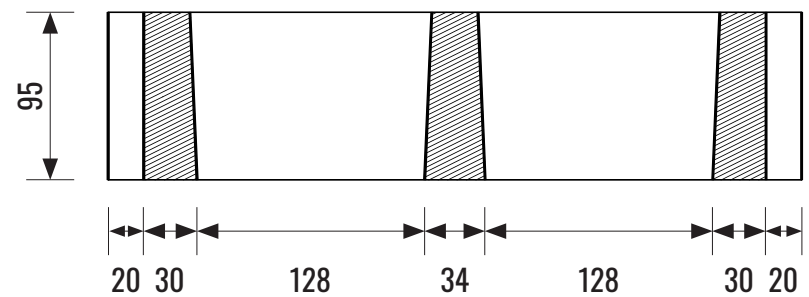
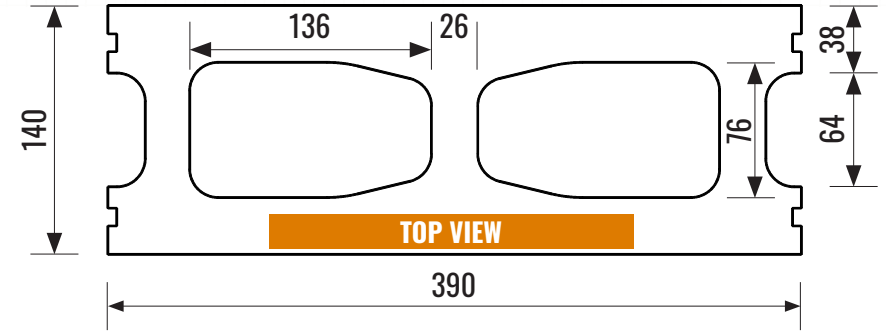


### BREAKER HALF HEIGHT



**PERSPECTIVE VIEW**

### STRETCHER HALF HEIGHT



**END X-SECTION**



**PLEASE NOTE:** Products are made from natural material sources and therefore color variation and efflorescence may occur.

#### PACKAGING:

Pieces Per Pallet: 53 Breakers + 157 Stretchers  
 Weight Per Piece: 7 kg (15.5 lbs)  
 Weight Per Pallet: 1477 kg (3255 lbs)  
 Coverage Per Piece: 0.4 sq. ft (84 sq. ft per pallet)

#### DIMENSIONAL TOLERANCES:

Meets the requirements of CSA A165.1 Concrete Masonry  
 Length: -3 to +3 mm  
 Width: -2 to +2 mm  
 Height: -3 to +2 mm

#### PHYSICAL PROPERTIES:

Meets the requirements of CSA A165.1 Concrete Masonry  
 Compressive Strength: Min 15 MPa @ 28 Days  
 Absorption (%): 8.0 % Maximum @ 28 Days