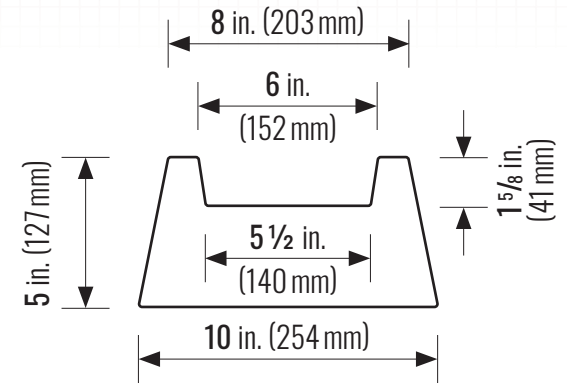
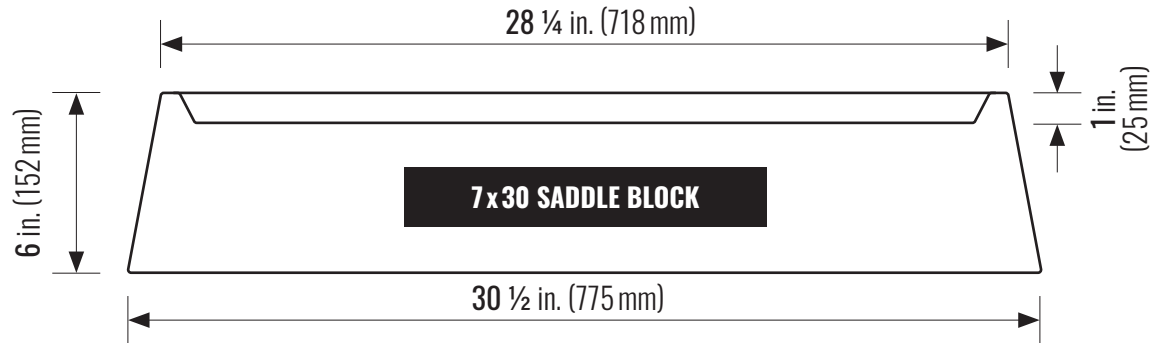


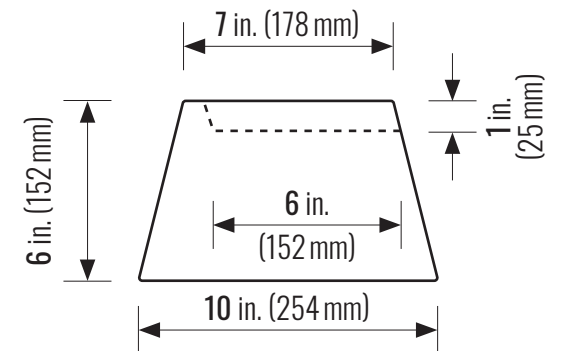
**FRONT VIEW**



**END VIEW**



**FRONT VIEW**



**END VIEW**

### DETAILS: Open End Saddle Block

Dimension: 762 x 254 mm (30 x 10 in.)  
Weight: 43.1 kg (95 lbs)

### DETAILS: 7x30 Saddle Block

Dimension: 775 x 254 mm (30 1/2 x 10 in.)  
Weight: 47.6 kg (105 lbs)

### PHYSICAL PROPERTIES:

Meets the requirements of CSA A23.1 and A23.4  
Compressive Strength: Min. 35 MPa @ 28 Days  
Concrete Contains: 5.0 – 8.0 % Entrained Air

