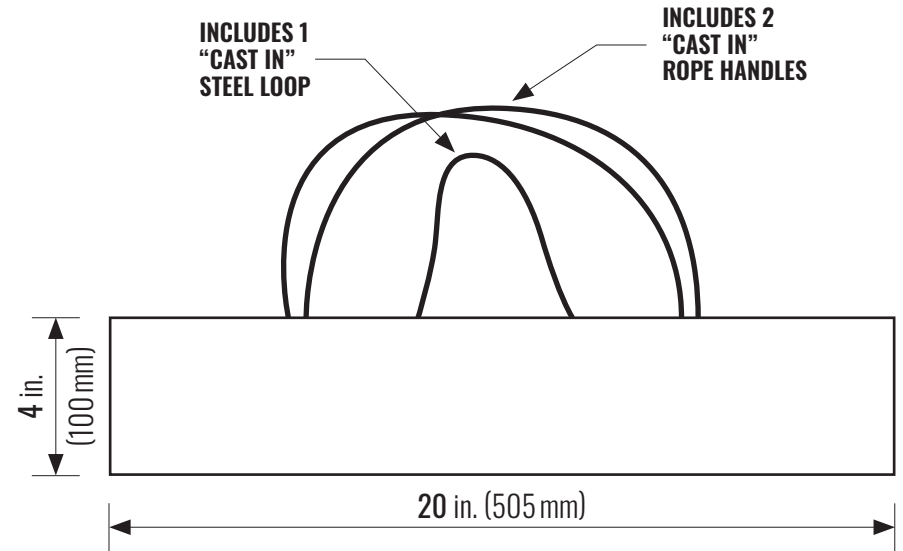


TOP VIEW



SIDE VIEW



### PACKAGING:

Weight Per Piece: 61.24 kg (135 lbs)

### PHYSICAL PROPERTIES:

Meets the requirements of CSA A23.1 and A23.4  
Compressive Strength: Min. 35 MPa @ 28 Days  
Concrete Contains: 5.0–8.0% Entrained Air